

# **FnIO G – Series :**

***GT-7511***

***GT-7511 (Expansion Power Supply, Input 24Vdc, Output 1.0A/5Vdc)***

# Specification

---

## Table of Contents

Table of Contents.....	2
History.....	3
1.ENVIRONMENTSPECIFICATION.....	4
2.GT-7511(Expansion Power Supply, Input 24Vdc, Output 1.0A/5Vdc).....	5
2.1.GT-7511 Specification.....	5
2.2.GT-7511 Wiring Diagram.....	6
2.3.GT-7511 LED Indicator.....	7
2.3.1.LED Indicator.....	7
2.3.2.System/Field Power LED.....	7
2.3.3.Status LED.....	7
2.3.4.Example:.....	8

# Specification

---

## History

REV.	PAGES	REMARKS	DATE	Editor
1.00	8	New Document	May,13,2016	Jun, seokhyun
1.01	8	Environment Specification	June,1,2016	Jun, seokhyun
1.02	8	Temp specification	June,10,2016	Jun, seokhyun

# Specification

## 1. ENVIRONMENT SPECIFICATION

<b>Environment specification</b>	
Operating Temperature	-40°C~70°C
UL Temperature	-20°C~60°C
Storage Temperature	-40°C~85°C
Relative Humidity	5% ~ 90% non-condensing
Mounting	DIN rail
<b>General specification</b>	
Shock Operating	IEC 60068-2-27
Vibration Resistance	Based on IEC 60068-2-6 <b>Sine Vibration</b> - 5 ~ 25Hz : ±1.6mm - 25 ~ 300Hz : 4g - Sweep Rate : 1 Oct/min, 20 cycles <b>Random Vibration</b> - 10 ~ 40 Hz : 0.0125 g <sup>2</sup> /Hz - 40 ~ 100 Hz : 0.0125 → 0.002 g <sup>2</sup> /Hz - 100 ~ 500 Hz : 0.002 g <sup>2</sup> /Hz - 500 ~ 2000 Hz : 0.002 → 1.3 x 10 <sup>-4</sup> g <sup>2</sup> /Hz - Test time : 1hrs for each test
Industrial Emissions	EN61000-6-4/All : 2011
Industrial Immunity	EN 61000-6-2 : 2005
Installation Pos. / Protect. Class	Variable/IP20
Product Certifications	CE, UL

## 2. GT-7511(*Expansion Power Supply, Input 24Vdc, Output 1.0A/5Vdc*)

### 2.1. GT-7511 Specification

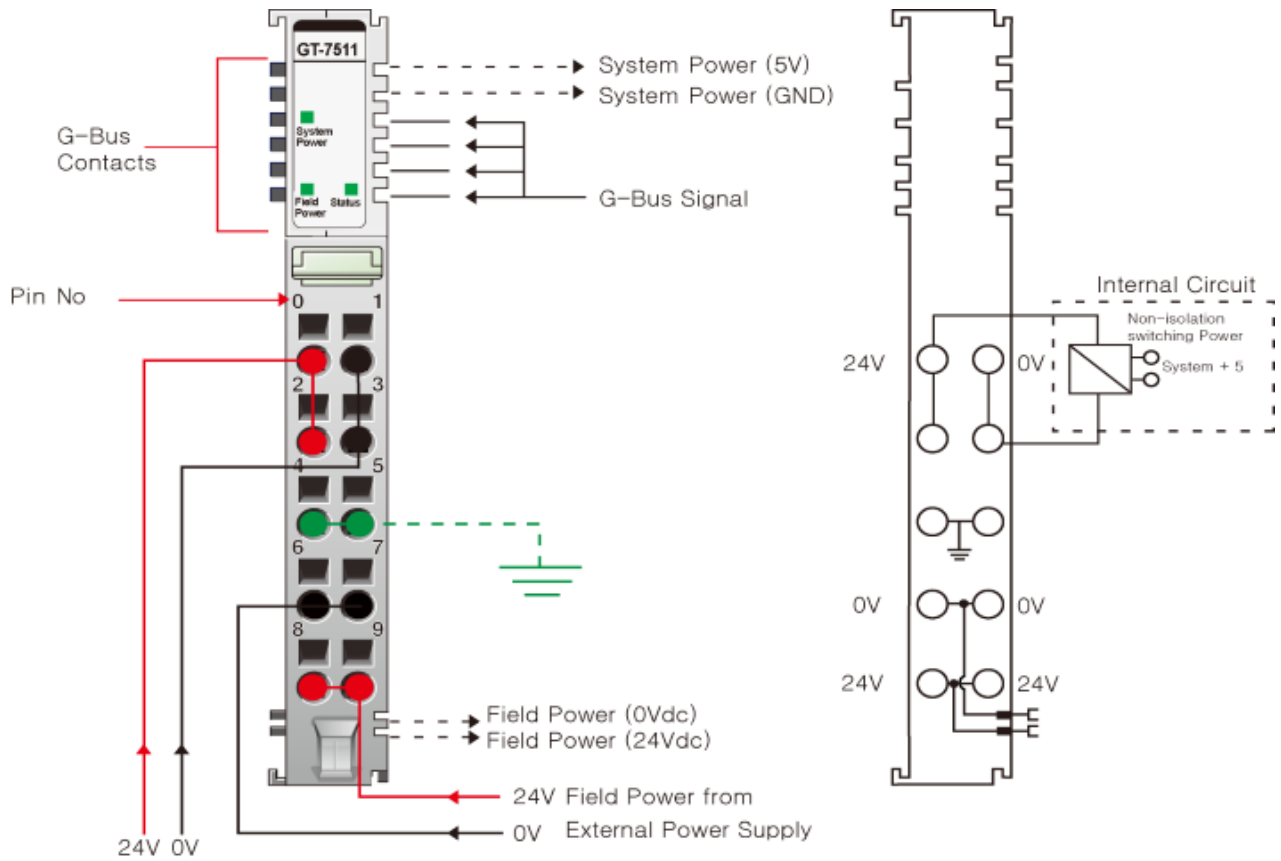
Items : GT-7511	
Input Specification	
System Input Voltage range	15Vdc to 32Vdc
System Power Input Voltage	Normal 24Vdc
Indicators	1 Green System Power state , 1 Green Field Power state, 1 Green G-Bus state
Field Power Input Voltage	Normal 24Vdc ( $\pm 20\%$ )
Field Power Contacts Current	Max. 10A Operating Temperature -40°C~50°C : Max. 10A 50°C~70°C : Max. 7A
G-Bus Output Voltage	Max. 5Vdc, 1A *
General Specification	
System power Dissipation	Max. 20mA @ 24Vdc
Wring	I/O Cable Max. 2.0mm <sup>2</sup> (AWG 14)
Weight	59g
Module size	12mm x 99mm x 70mm

\* Operating temperature

-40 ~ 70°C temperature range specification can be guaranteed under the following conditions.

- Current for I/O Modules : 0.4 A below.
- Otherwise, temperature specification can be guaranteed with -40 ~ 60°C.

## 2.2. GT-7511 Wiring Diagram



Pin No.	Signal Description	Signal Description	Pin No.
0	System Power, 24V	System Power, Ground	1
2	System Power, 24V	System Power, Ground	3
4	F.G	F.G	5
6	Field Power, Ground	Field Power, Ground	7
8	Field Power, 24V	Field Power, 24V	9

## 2.3. GT-7511 LED Indicator

### 2.3.1. LED Indicator



LED No.	LED Function / Description	LED Color
System Power	System Power	Green
Field Power	Field Power	Green
Status	Internal Bus Status	Green

### 2.3.2. System/Field Power LED

Status	LED	To indicate
On Signal	Green	Normal Operation
Not Signal	Off	Normal Operation

### 2.3.3. Status LED

Status	LED	To indicate
Normal signal.	Green	The unit is operating in normal condition. ( After normal initialization of RBUS communication, this LED maintains ON status.)
Absence of data size.	Flashing green	Although this module is connected normally, there are not input/output data for communication.
Absence of network adapter	Off	Network adapter is not connected to this module.

# Specification

## 2.3.4. Example:

The GT-7511 provides Power

